

# C1- BULKHEAD CONNECTORS

## P SERIES

### FEATURES

**P series** connectors provides time and money savings during installation because there is no need for welding or threaded pipe connections.

The bulkhead connectors P series are available in two models :

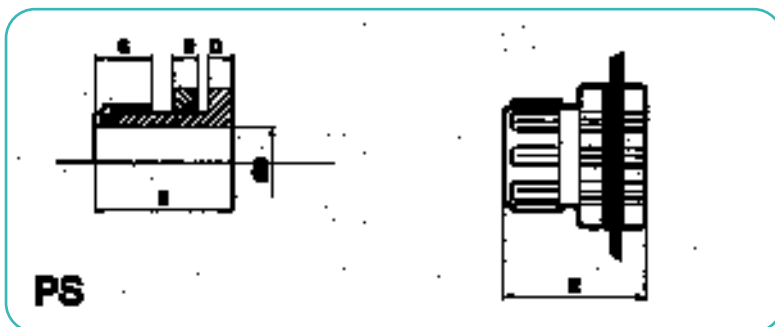
**PD series is suitable for two piece blow tube .**

**PS series is suitable for through blow tube.**

Proper wrenches are provided to tighten the nuts.

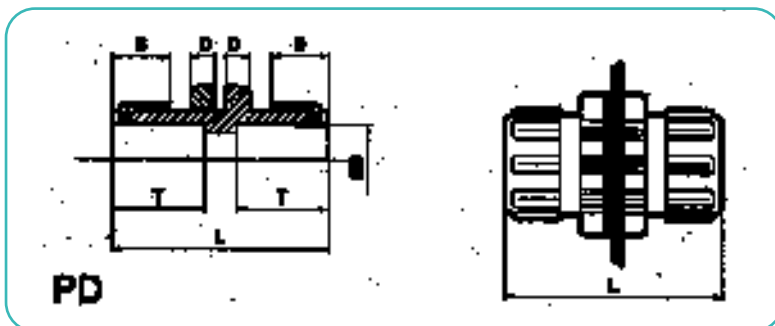


Body, compression nut, retainer nut	anodized die cast aluminium
Seals	NBR -30°C / +100°C Silicon -60°C / +200°C



#### COLLECTOR WALL

3/4"	entry hole ø min. 55
1"	entry hole ø min. 55
1 1/2"	entry hole ø min. 70

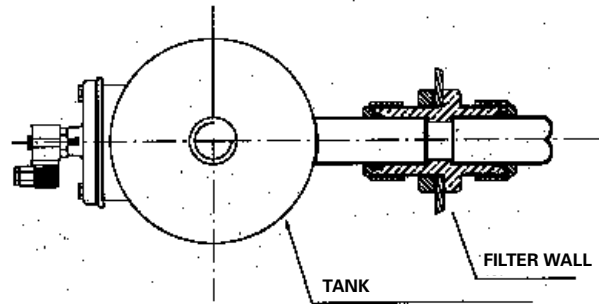


Model	Ø B	D	E	G	Weight (Kg)	Model	Ø B	D	G	L	T	Weight (Kg)
PS 20	3/4"	11	68	36	0,6	PD 20	3/4"	11	36	105	50	0,8
PS 25	1"	11	68	36	0,4	PD 25	1"	11	36	105	50	0,6
PS 40	1 1/2"	15	94	40	0,9	PD 40	1 1/2"	15	40	140	67	1,3

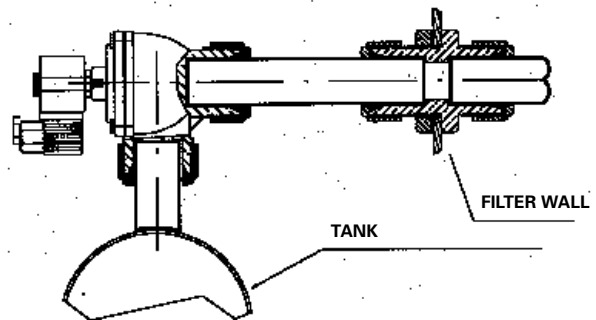
## P SERIES

### MOUNTING LAYOUT

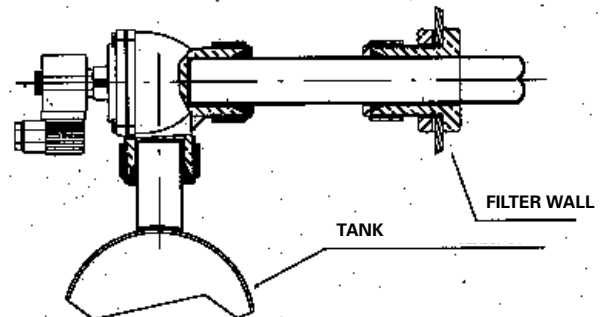
#### INTEGRAL VALVE/ HEADER TANK



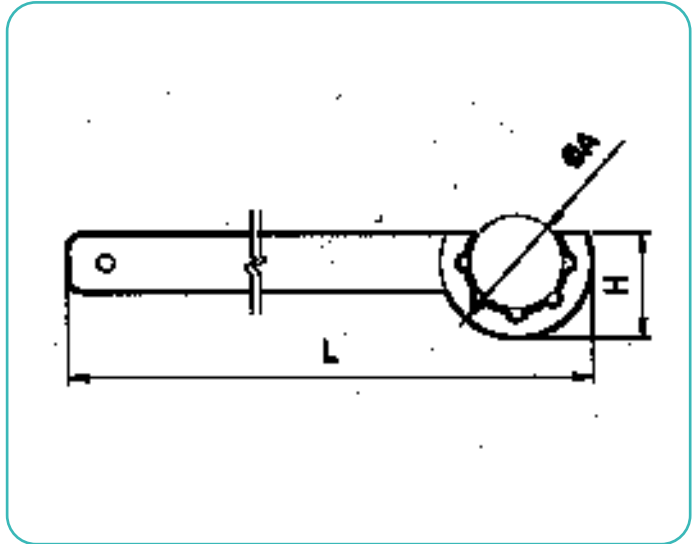
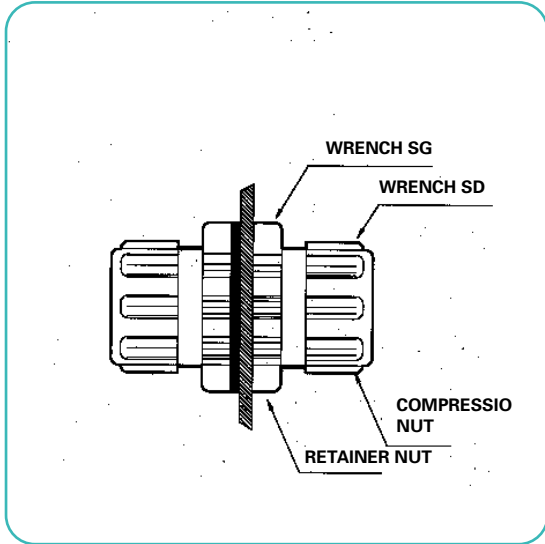
#### TWO PIECE BLOW TUBE



#### THROUGH BLOW TUBE



# MOUNTING WRENCH



COMPRESSION NUT FOR WRENCH SG					RETAINER NUT FOR WRENCH SD				
Model	Ø Pipe	A	H	L	Model	Ø Pipe	A	H	L
SD 20	3/4"	61	70	350	SG 20	3/4"	70	65	350
SD 25	1"	61	70	350	SG 25	1"	70	65	350
SD 40	1 1/2"	82	85	430	SG 40	1 1/2"	90	85	430