

B3 - PULSE VALVES WITH FLANGED INLET AND QUICK CONNECTION OUTLET

E SERIES

FEATURES

E series is designed with flange on the inlet to draw air directly from the header tank producing a very high pneumatic yield and quick connection fitting on the outlet to facilitate connection to the blow pipe. Body and cover are pressure diecast aluminium with stainless steel bolts.



EP WITH INTEGRAL PILOT CONTROL
EM FOR REMOTE PILOT CONTROL

Media	Dry and oil free compressed air
Temperature range	Nitril diaphragm -20°C; +80°C Viton diaphragm -30°C; +200°C
Pressure range	0,5 bar min - 7,5 bar max
Body and cover	Pressure diecast aluminium anodized
Pilot	Brass
Pilot plunger	Stainless steel
Screws	Stainless steel
Coil insulation	Class F
Connector	PG 9; IP65
Standard voltages	230-110-24-V/ 50-60VHZ 19VA 24VDC 15W

Model	Ø	Diaphragm (Nr.)	Pressure range (bar)		Weight (Kg)	Coil
			min.	max		
EP 25	1"	1	0,5	7,5	1,2	YES
EP 40	1 1/2"	2	0,5	7,5	2,3	YES
EM 25	1"	1	0,5	7,5	0,9	NO
EM 40	1 1/2"	2	0,5	7,5	0,9	NO

HOW TO ORDER

EXAMPLE: E P 25 2450

E VALVE WITH FLANGED INLET

P INTEGRAL PILOT
M REMOTE PILOT

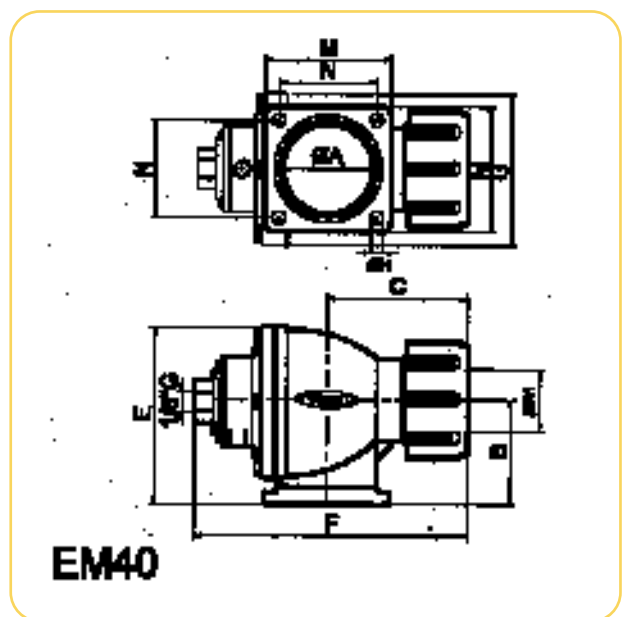
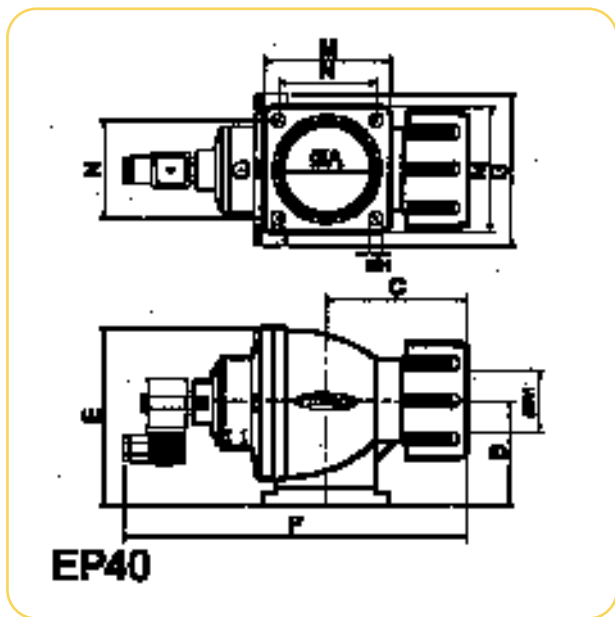
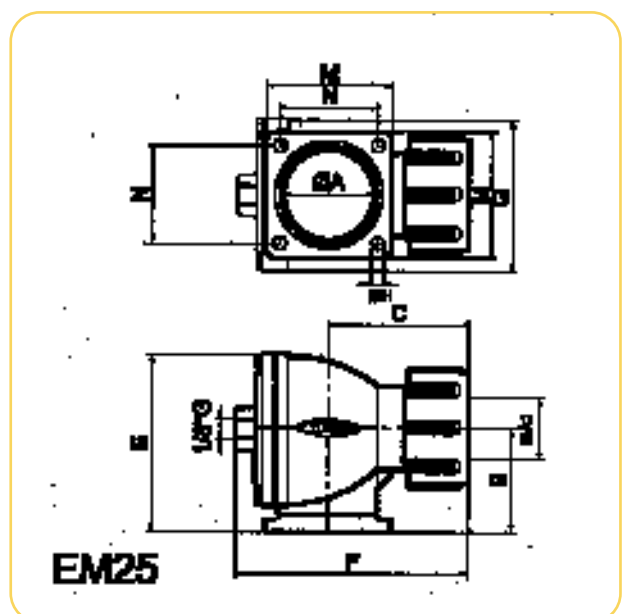
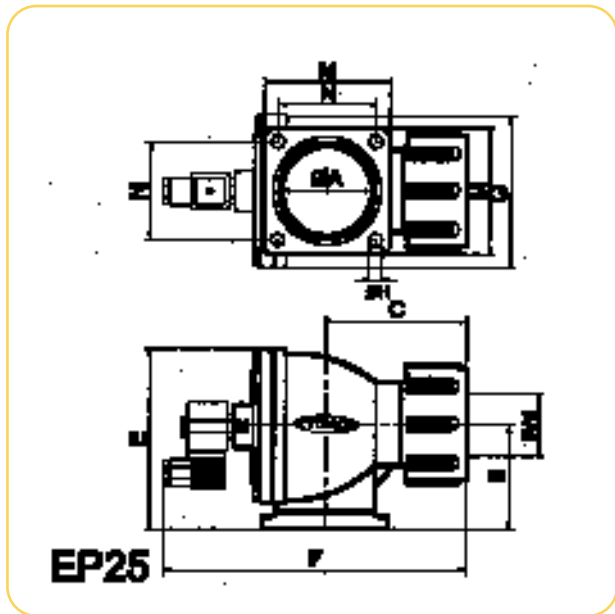
25 = 1"
40 = 1 1/2"

24V 50Hz = **02450**
 110V 50Hz = **11050**
 220V 50Hz = **22050**
 24V DC = **024DC**

B3 - PULSE VALVES WITH FLANGED INLET AND QUICK CONNECTION OUTLET

E SERIES

DIMENSIONS



Model	A	A1	B	C	E	F	G	ØH	M	N
EP 25	1 1/2"	1"	81	96	125	208	90	9	83	60
EP40	2"	1 1/2"	96	118	155	270	137	11,5	95	72
EM 25	1 1/2"	1"	81	96	125	160	90	9	83	60
EM40	2"	1 1/2"	96	118	155	222	137	11,5	95	72