

B2 - PULSE VALVES WITH QUICK CONNECTION FITTINGS

D SERIES

FEATURES

D series is a complete range of pulse valves with quick connection fittings. The design offers ease of installation, low restriction to air flow, providing an excellent cleaning pulse. Right angle body construction is considered the most suitable configuration for dust collector applications. Body and cover are pressure diecast aluminium with stainless steel bolts.



DP WITH INTEGRAL PILOT CONTROL
DM FOR REMOTE PILOT CONTROL

Media	Dry and oil free compressed air
Temperature range	Nitril diaphragm -20°C; +80°C Viton diaphragm -30°C; +200°C
Pressure range	0,5 bar min - 7,5 bar max
Body and cover	Pressure diecast aluminium anodized
Pilot	Brass
Pilot plunger	Stainless steel
Screws	Stainless steel
Coil insulation	Class F
Connector	PG 9; IP65
Standard voltages	230-110-24-V/ 50-60VHZ 19VA 24VDC 15W

Model	Ø	Diaphragm (Nr.)	Pressure range (bar)		Weight (Kg)	Coil
			min.	max		
DP 20	3/4"	1	0,5	7,5	1	YES
DP 25	1"	1	0,5	7,5	1,2	YES
DP 40	1 1/2"	2	0,5	7,5	2,3	YES
DM 20	3/4"	1	0,5	7,5	0,9	NO
DM 25	1"	1	0,5	7,5	1,1	NO
DM 40	1 1/2"	2	0,5	7,5	2,2	NO

HOW TO ORDER

EXAMPLE: D P 25 2450

D VALVE WITH QUICK CONNECTION FITTINGS

P INTEGRAL PILOT
M REMOTE PILOT

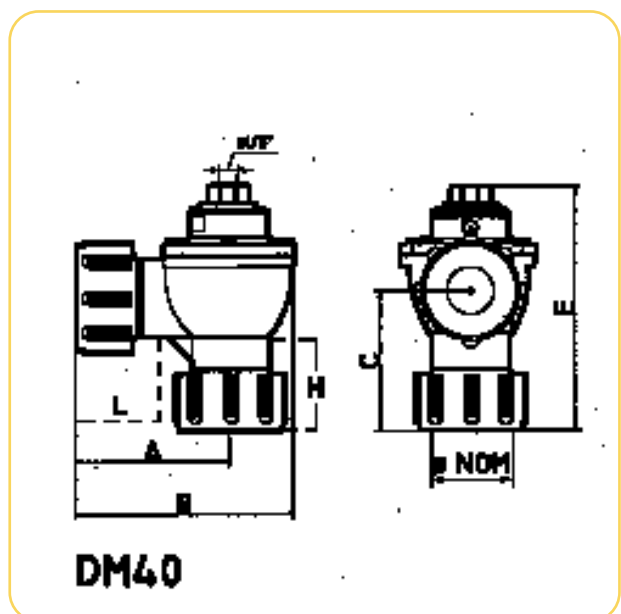
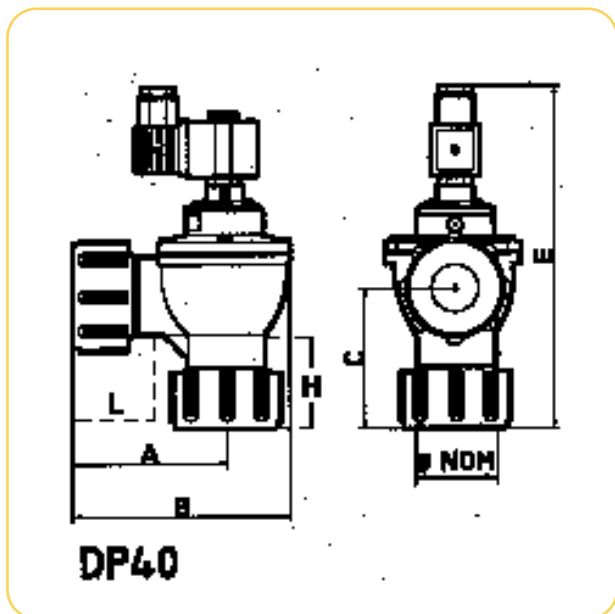
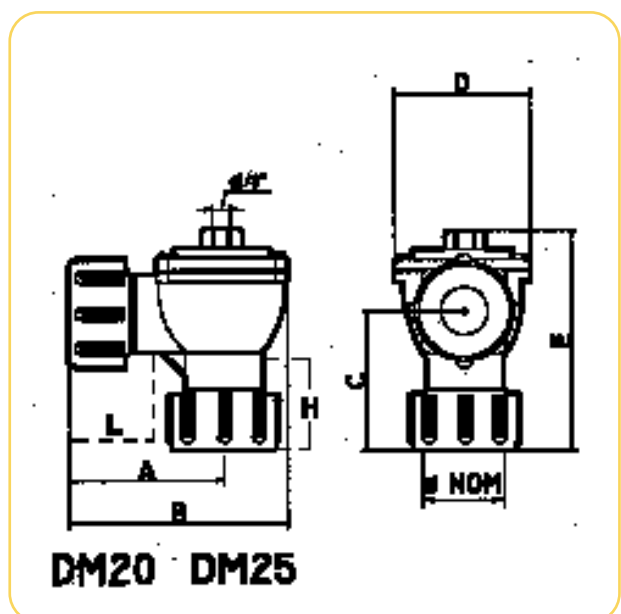
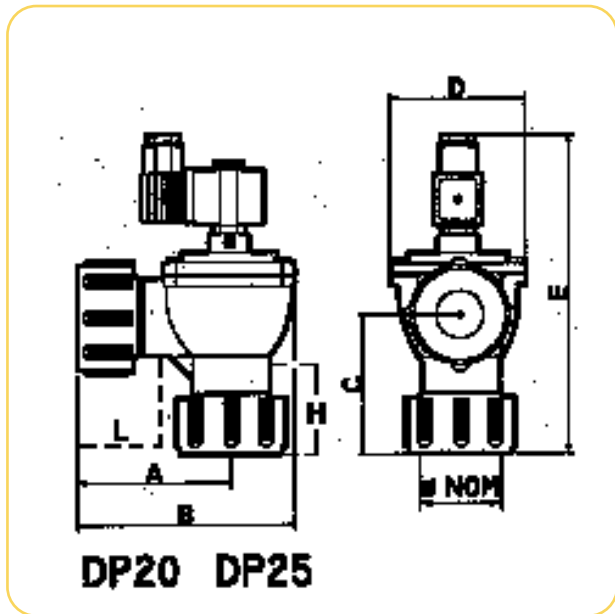
20 = 3/4"
25 = 1"
40 = 1 1/2"

24V 50Hz = **02450**
 110V 50Hz = **11050**
 220V 50Hz = **22050**
 24V DC = **024DC**

B2 - PULSE VALVES WITH QUICK CONNECTION FITTINGS

D SERIES

DIMENSIONS



Model	Ø	A	B	C	D	E	H	L	Weight (Kg)	Model	E	Weight (Kg)
DP 20	3/4"	67	112	45	74	157	50	50	1	DM 20	103	0,9
DP 25	1"	90	176	80	74	194	50	43	1,2	DM 25	140	1,1
DP 40	1 1/2"	114	176	99	136	254	65	65	2,3	DM 40	200	2,2